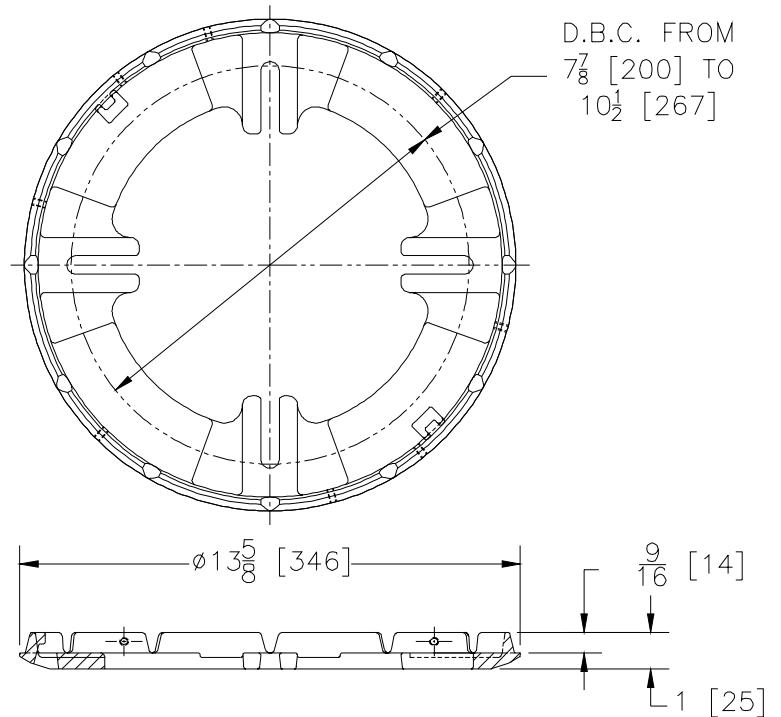


Dimensional Data (inches and [mm]) are Subject to Manufacturing Tolerances and Change Without Notice



RD2190 Universal Membrane Clamp

Designed for retrofit roof applications where the existing main roof drain is to be utilized. The tie-down lugs of the collar match the bolt pattern of the more common roof drain bodies and conform to the surface angles of the flange, allowing timely replacement along with desirable surface pressure on the membrane clamp device (UMC), is designed to accompany most 15 [381] and 16 [406] diameter roof drain bodies with accessory bolt circles ranging from 8 [203] to 10 1/2 [267] in diameter.

Note: When using RD2190 UMC, it is advisable to extend roof membrane into the sump of existing roof drain body.

Options:

- ___ -DS Dura-Coated Cast Iron Dome Strainer
- ___ -VP Vandal Proof Screws for Dome

The RD2190 UMC Standard Assembly Consists of:

- (1) _ Cast Iron UMC
- (4) _ 3/8-16 x 1 3/4 [45] Hex Head Bolts
- (4) _ 3/8-16 x 1 1/4 [32] Hex Head Bolts
- (4) _ 5/16-18 x 1 1/4 [32] Hex Head Bolts
- (4) _ 3/8-16 x 4 [102] Studs
- (4) _ 3/8 Nuts
- (4) _ 3/8 Washers