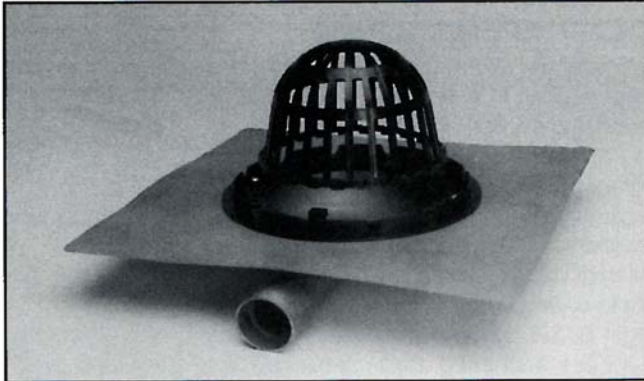


**COPPER ROOF
SIDE-OUTLET DRAIN
Specification Sheet**



PART NO.	DESCRIPTION
T-0265	2" Copper Roof Side-Outlet Drain
T-0266	3" Copper Side-Outlet Drain

MATERIAL FEATURES

- Noncorrosive plastic grate and adapter clamp.
- Entire drain and flange is made of 100% copper.
- No-hub adaptor is made of 100% brass.

SPECIFICATION

Furnish and install Tech Specialties Copper Roof Side-Outlet Drain and flashing area in one unit, all manufactured by Tech Specialties or approved equal.

OPTIONAL

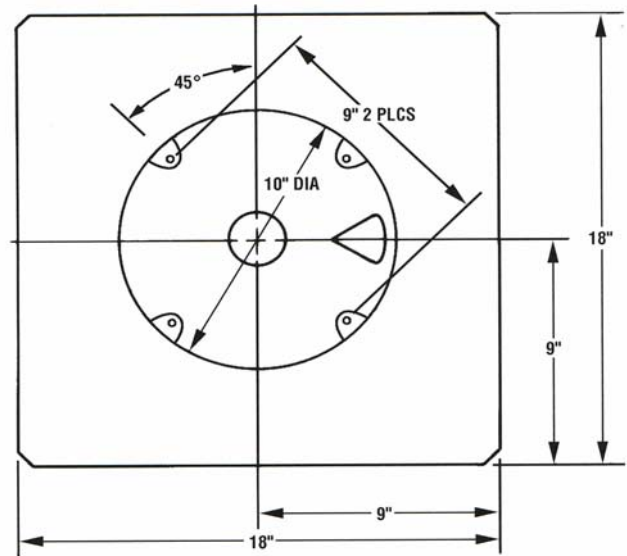
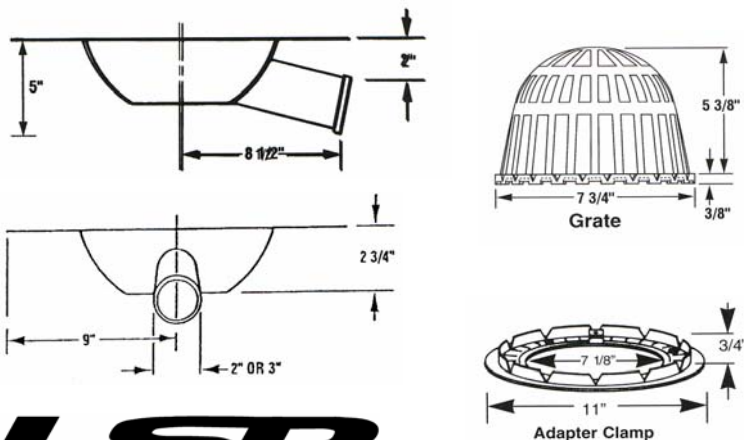
Flexible connection and expansion coupling shock absorbs the ill-effects of roof and deck expansion and contraction, prolonging roof life and preserving down-spout and drain pipe system's integrity. Available in 2" and 3" pipe sizes.

ADDITIONAL DESIGN FEATURES

- Roof Drain available in 2" and 3" pipe sizes.
- Drain and flange size is 18"W X 18"L.
- Round 10" seamless drain basin.
- 52 square inches of open area on grate.
- Sand blasted flange finish for excellent asphalt adhesion.
- Excellent adhesion to torch-applied, modified roof systems and B.U.R. systems

ACCEPTANCE

Plumbing Safety I.A.P.M.O. - File Number 2998.
SBCCI Report Number 9831A



3689 Arrowhead Drive, Carson City, NV 89706
Phone (800) 854-3215 Fax (800) 243-1777

E-mail sales@lspproducts.com Website www.lspproducts.com

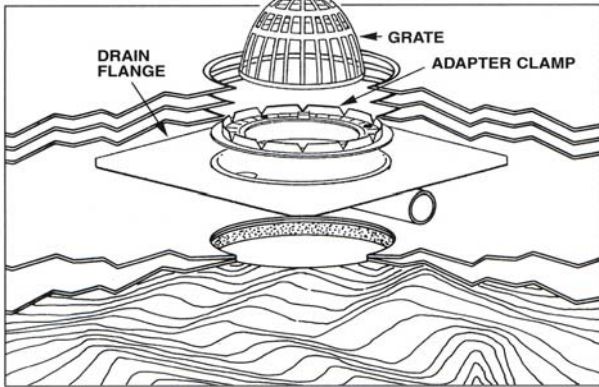
Content matter is subject to change at any time. It is the user's responsibility to ensure the most updated revisions are obtained.

TS/S-2009 (5-05) Rev 2

Product Submittal	
Job Name	
Date	
Part Number	Quantity
Architect	
Contractor	

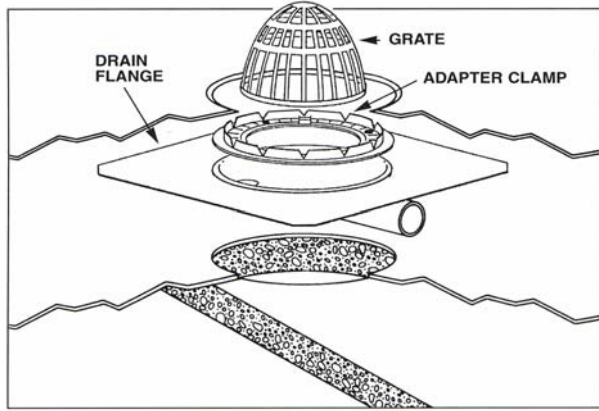
COPPER ROOF SIDE-OUTLET DRAIN Specification Sheet

FLASHING DETAIL FOR BUILD-UP ROOF SYSTEMS



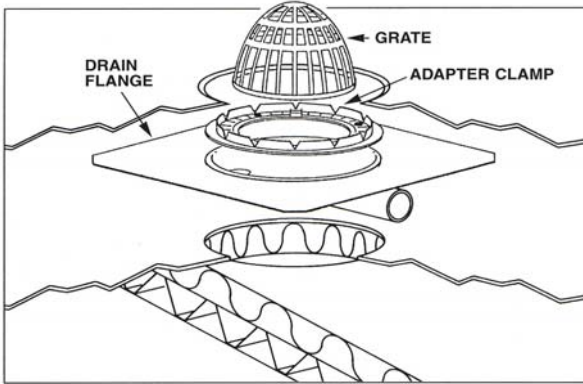
1. Mechanically attach 2 plies of roofing base ply sheet embedded in hot asphalt to substrate, ensure the plies extend 18" past underlying portion of drain flange.
2. On under portion of drain flange, embed 1/3" layer, evenly spread roofing mastic compound.
3. Securely fasten drain flange to substrate, using appropriate fasteners.
4. For best results, prime drain flange with asphalt primer. Allow ample drying time.
5. Begin B.U.R. system embedding alternate layers of roofing ply sheet in a feathering application down into sump and over flange. **Note:** Ensure asphalt is at a temperature range between 430°F 475°F.
6. Secure adapter clamp and grate in place with provided hardware.
7. Complete roof system with specified surfacing as required

FLASHING DETAIL FOR MODIFIED SINGLE-PLY ROOF SYSTEMS



1. Place reversed sheet of modified ply over drain hole opening on substrate. Ensure that ply sheet extends 18" past underlying portion of drain flange. **Note:** Recommend asphalt primer on under portion of drain flange be applied beforehand.
2. Place drain on hot modified ply and secure drain flange to roof substrate using appropriate fasteners.
3. For best results, prime top portion of drain flange with asphalt primer. Allow ample drying time.
4. Back burn modified ply sheet, start roof system down into sump receiver and over flange.
5. Secure adapter clamp and grate in place with provided hardware.
6. Complete modified single-ply system with specified surfacing as required.

FLASHING DETAIL FOR E.P.D.M. OR RUBBER SINGLE-PLY ROOF SYSTEMS



1. Place single-ply sheet over drain hole on substrate. Ensure that ply sheet extends 18" past underlying portion of receiving drain flange.
 2. On under portion of drain flange embed 1/3" of water stop cut off.
 3. Securely fasten drain flange to substrate, using appropriate fasteners.
 4. Embed single-ply sheet in specified adhesive down into sump and over top portion of flange.
 5. Secure adapter clamp and grate in place with provided hardware.
 6. Complete single-ply system with specified surfacing as required.
- NOTE:** Please consult your roof membrane manufacturer for details on flashing installation.



3689 Arrowhead Drive, Carson City, NV 89706
 Phone (800) 854-3215 Fax (800) 243-1777
 E-mail sales@lspproducts.com Website www.lspproducts.com

Content matter is subject to change at any time. It is the user's responsibility to ensure the most updated revisions are obtained.

TS/S-2009 (5-05) Rev 2

Product Submittal	
Job Name	
Date	
Part Number	Quantity
Architect	
Contractor	