

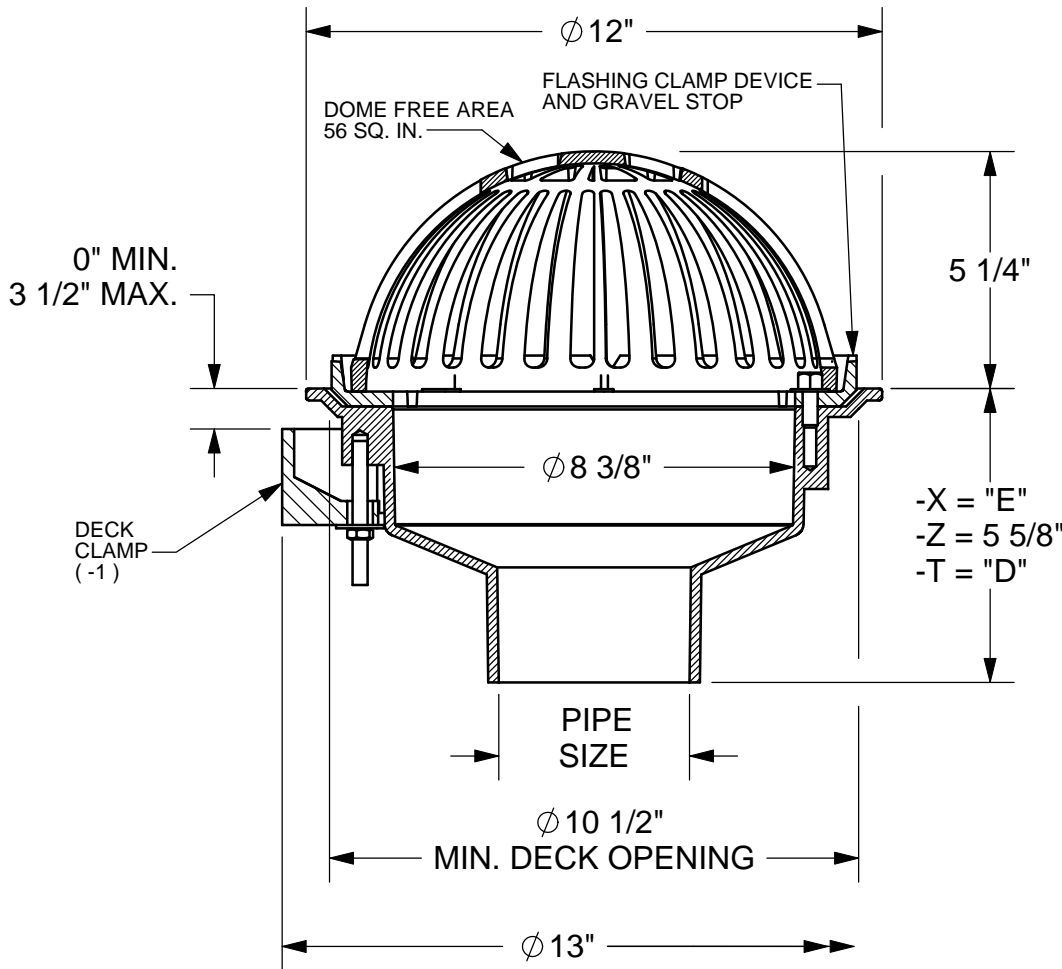
**SPECIFICATION:**

JOSAM 22010 SERIES COATED CAST IRON ROOF DRAIN, MEDIUM BEEHIVE DOME, NON-PUNCTURING CLAMP RING WITH INTEGRAL GRAVEL STOP, MEDIUM SUMP WITH ROOF FLANGHE AND BOTTOM OUTLET.

**ROOF DRAIN  
MEDIUM SUMP, BEEHIVE DOME**

SERIES **22010**

PIPE SIZE	"D" DIM.	"E" DIM.
2"	4 3/4"	6 1/4"
3"	4 3/4"	6 1/4"
4"	4 1/2"	6 1/4"
5"	4 3/8"	6"
6"	4"	5 3/4"



▼ SEPARATE SUBMITTAL FOR THIS OPTION AVAILABLE

\*\* -10 EXTENSION 1" STANDARD

2"	PIPE SIZE		-10	FIXED EXT. COLLAR, CAST IRON ( SPECIFY HEIGHT ** )
3"	PIPE SIZE		-10-20	FIXED EXT. COLLAR, GALVANIZED ( SPECIFY HEIGHT ** )
4"	PIPE SIZE		-17	2" HIGH SOLID CLAMPING COLLAR
5"	PIPE SIZE	▼	-19	CLAMP COLLAR W/PERF. STAINLESS GRAVEL GUARD
6"	PIPE SIZE		-20	GALVANIZED CAST IRON PARTS
			-23	ROUGH BRONZE DOME
-X	INSIDE CAULK OUTLET		-66	NO-HUB SIDE OUTLET ( 2" THRU 6" OUTLETS ONLY )
-Z	NO-HUB SPIGOT OUTLET			
-T	THREADED OUTLET		-VP	VANDAL-PROOF DOME
-1	DECK CLAMP ASSEMBLY			
-1C	DRAIN RECEIVER CLIPS ( MIN. DECK OPENING $\phi$ 16.5" )			
-2	DRAIN RECEIVER			
-3	DECK CLAMP ASY. AND DRAIN RECEIVER			
-3C	DRAIN RECEIVER AND DRAIN RECEIVER CLIPS			

DATE OF LAST CHANGE: 01/31/11

DIMENSIONS ARE SUBJECT TO MANUFACTURERS TOLERANCES AND CHANGE WITHOUT NOTICE. WE CAN ASSUME NO RESPONSIBILITY FOR USE OF SUPERSEDED OR VOID DATA.

**JOSAM COMPANY**  
MICHIGAN CITY, INDIANA

NOTES